

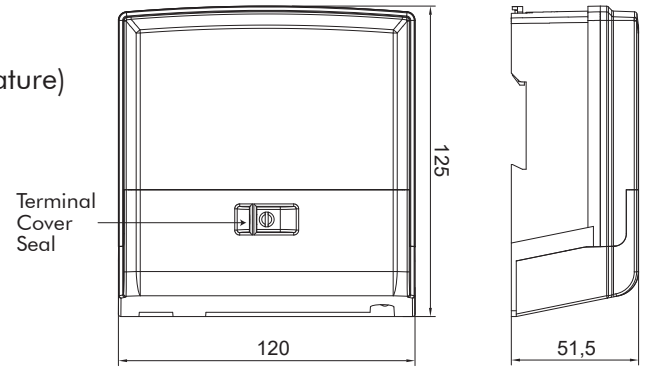


BAYLAN MD.04-H OSOS Modem



General Specifications

- GSM/EDGE (B3/B8), WCDMA (B1/B8), LTE-FDD (B1/B3/B7/B8/B20/B28), LTE-TDD (B38/B40/B41)
- GSM/GPRS (2G/3G/4G) communication (Auto switch feature)
- LTE Cat 4 category
- Compatible with all operators
- Arm Cortex High Speed Microcontroller
- Isolated RS485 connection
- Remote and local software update
- 16MB internal memory (optionally expandable)
- SMS, FTP, Real time clock (RTC) and NTP support
- Define and implement Scheduled and Periodic tasks
- Reporting the status of Energy, Terminal Cover and Inputs to the data center
- 300-115200 baud automatic rate adjustment depending on the type of Electricity Meter
- Short and Long Readout, Obis Code and Load Profile Reading in Compliance with IEC 62056-21C protocol
- Access control in transparent mode



Technical Specifications

Model Name	MD.04-H
Nominal Voltage (Un)	230 V
Operating Frequency	50 Hz \pm %5
Maximum Current Consumption	0.03 A
IP Rating	IP54 (Outdoor)
Protective Class	Two (2)
Operating Temperature	-40 °C, +70 °C
Communication	RS485, GSM/GPRS, LTE
Standard	EN 62368-1 / ETSI EN 301 489-1
Memory	16 Mb
Relay outputs	1 Piece
Digital inputs	Up to 2 (Optional)
Protocols	IEC 62056-21 Baylan Protocol

"Due to continuous development of our products, we reserve the right to modify our product design or construction without prior notice."